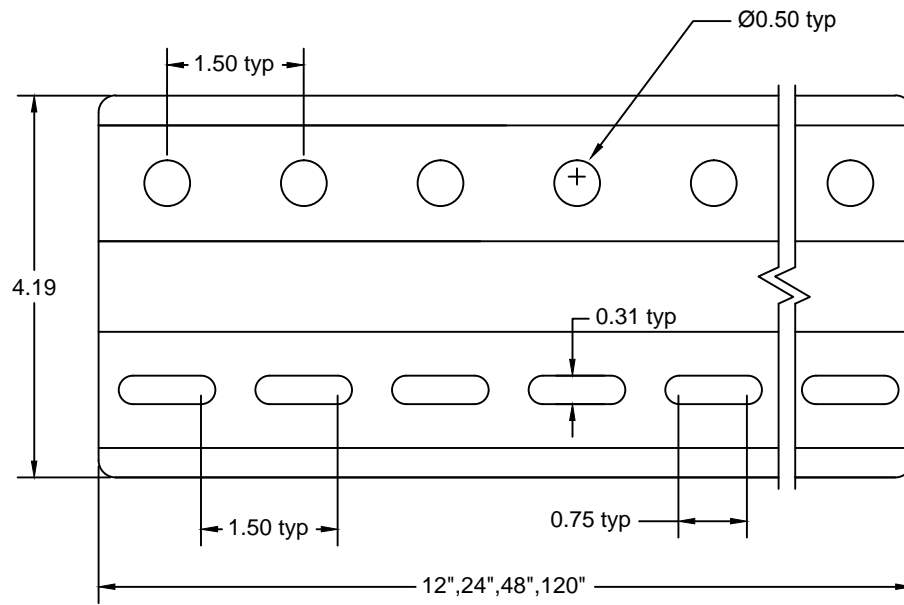
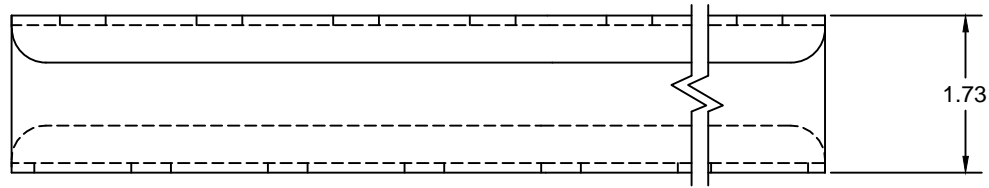
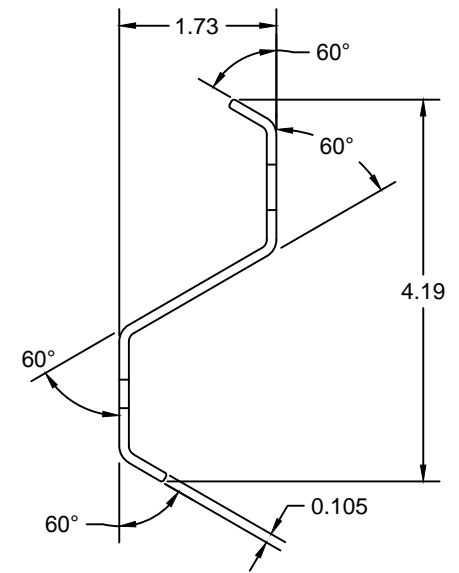


Top View



Available with or without holes

Side View



End View

|  |  |              |                  |        |
|--|--|--------------|------------------|--------|
| TOLERANCES   | Drawn by:  | Aprvd by:    | Material:        | Date:  |
|  | AH   | AH/JT        | 12 GA SS         | 3-2015 |
| unless otherwise specified<br>ANGLES = ± 1°<br>FRACTIONS = ± 1/32<br>DECIMALS .XX = ± .01<br>.XXX = ± .005 | <b>Food Grade Strut</b>  |              | Drawing Title:   |        |
|  | 1-866-FG-STRUT<br>4185 E. Jefferson Ave.<br>Fresno, CA 93725<br>foodgradestrut.com |              | WALL MOUNT STRUT |        |
|  |  |              | Drawing Number:  |        |
|  |  | F20150111-A1 |                  |        |