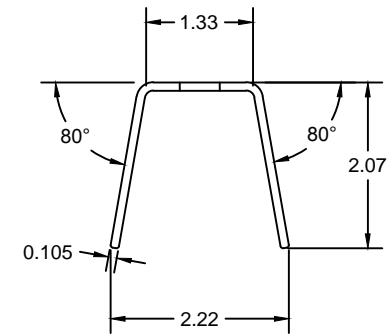
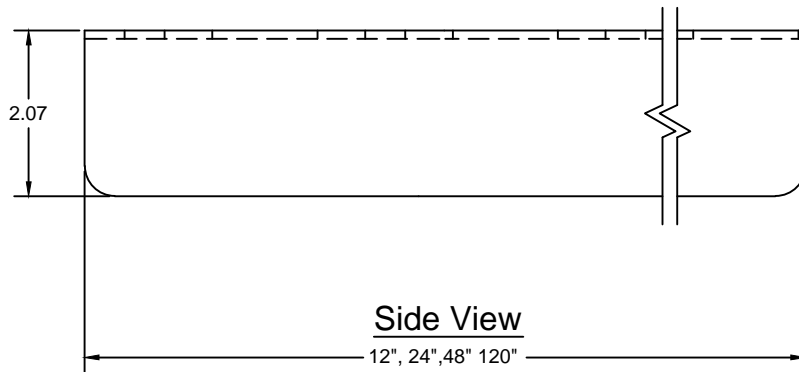
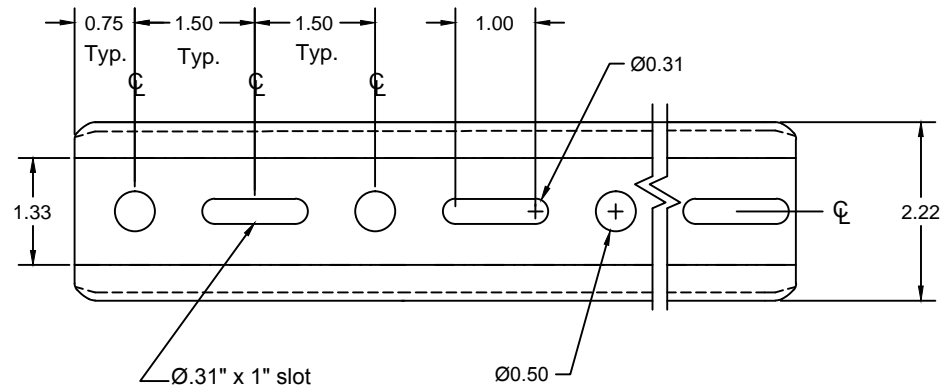


### Top View



Available with or without holes

TOLERANCES	Drawn by:	Aprvd by:	Material:	Date:
	AH	AH/JT	12 GA SS	3-2015
unless otherwise specified ANGLES = ± 1° FRACTIONS = ± 1/32 DECIMALS .XX = ± .01 .XXX = ± .005	<b>Food Grade Solutions</b>		Drawing Title:	
	(559) 834-1219		TRAPEZE MOUNT STRUT	
	2030 S. Golden State Blvd. #206		Drawing Number:	
PO Box 69, Fowler, CA 93625		F20150111-A2		
www.foodgradesolutions.com				