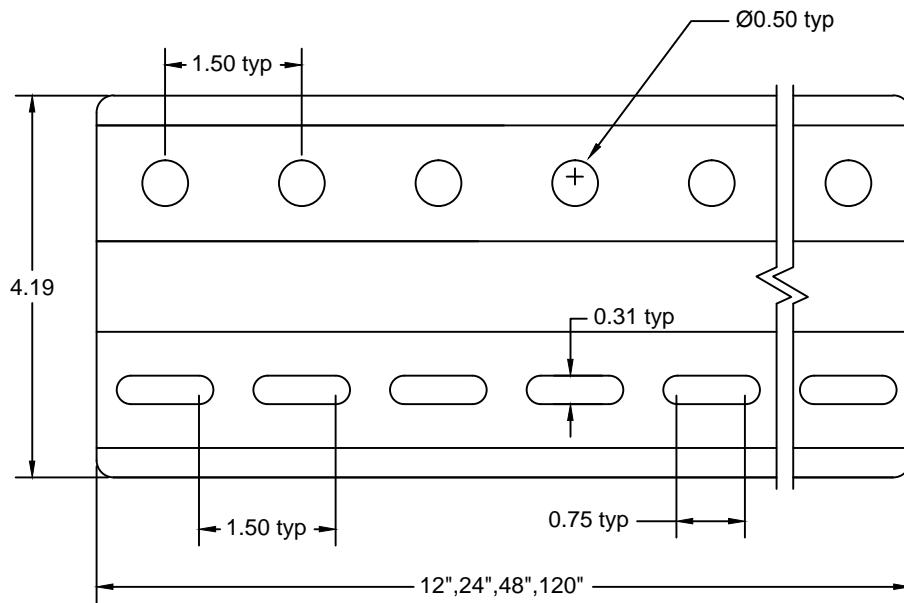
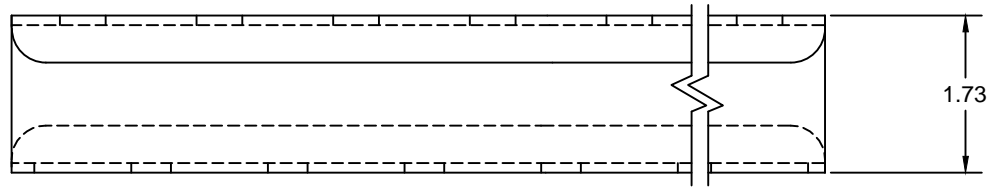
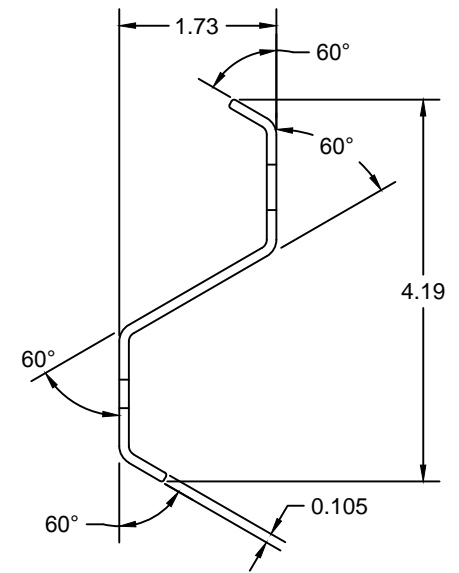


Top View



Available with or without holes

Side View



End View

<p><b>TOLERANCES</b></p> <p>unless otherwise specified</p> <p>ANGLES = ± 1°</p> <p>FRACTIONS = ± 1/32</p> <p>DECIMALS .XX = ± .01</p> <p>.XXX = ± .005</p>	Drawn by:	Aprvd by:	Material:	Date:
	AH	AH/JT	12 GA SS	3-2015
	<p><b>Food Grade Solutions</b></p> <p>(559) 834-1219</p> <p>2030 S. Golden State Blvd. #206</p> <p>PO Box 69, Fowler, CA 93625</p> <p>www.foodgradesolutions.com</p>			
	<p>Drawing Title:</p> <p>WALL MOUNT STRUT</p>			
<p>Drawing Number:</p> <p>F20150111-A1</p>				